



**HIGH PERFORMANCE SUBMERSIBLE  
PUMP, OPERATION MANUAL**

# **NEW PONDY**

## **NSM-MODEL**

Thank you for purchasing our **KOSHIN** submersible pump.

Upon receipt, please check the following.

- Model is exactly what you have ordered.
- There is no damage made during transportation.
- Accessories are all supplied.

Please contact dealer if need further assistance.

**KOSHIN LTD.**

Please read manual before operation.



**KOSHIN LTD.**

12, Kami-Hachinotsubo, Kotari Nagaokakyo city, Kyoto, Japan

Tel 075-954-6111

Fax 075-955-1927

## Caution

### 1. Leak current breaker

To ensure safety, especially for home application, use **PONDY** with leak current breaker. Leak current breaker is available as an option and is sold separately.

### 2. Power source

Ensure pump supplied is in appropriate voltage to your country's power source. **NSM-62011** for 115V.

### 3. Application

a. The pump is designed for clean water application. However should it be used for other situations, do NOT place pump at the bottom of tank / pond. This will prevent excessive mud or sand from entering into the pump. Muddy or sandy water will affect performance of the pump.

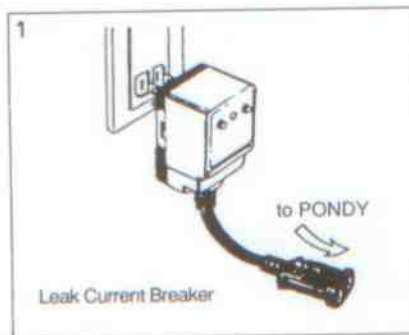
b. Do not use pump for oil, sea water, strong alkaline or acidic solutions or any type of agricultural chemicals.

### 4. Running dry

Prevent dry pumping at all times. Always place pump at the deepest end of the tank / pond.

### 5. Handling of the pump

Never handle the pump by its cable. Use the handle provided. Should the pump be installed in deep position, attach a rope to the handle.



## 6. Power cord

Select an appropriate cord size for cable extension. The joint should not be submerged in the water.



## 7. Bathe usage

No one should be in the water while the pump is in operation. Temperature of water should not exceed 40°C.

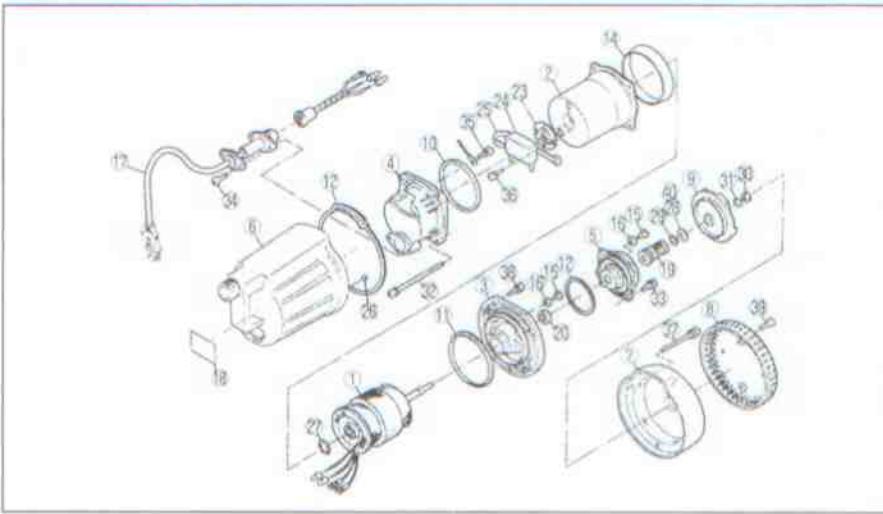
## Care for your pump

1. In cold regions where frosting occurs, do not leave water inside the pump if not in operation. Remove pump from tank/pond and drain out the water.
2. Before storage, always thoroughly clean and dry the internal part of the pump.

## Solutions for possible operational failures

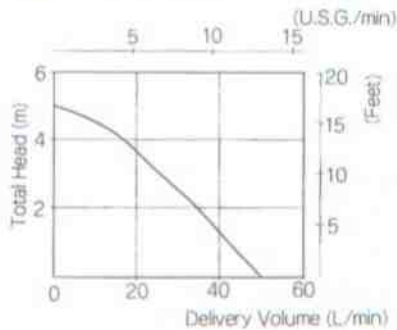
Problems	Causes	Solutions
Non-operation	Power may not be turned on.	Turn on the power.
	No connection or poor contact of cable.	Repair is needed.
	Too low a voltage.	Correct the voltage.
Failure during operation.	Impeller may be blocked.	Remove obstruction from impeller.
	Inadequate voltage	Correct the voltage.
Poor performance	Low voltage.	Correct the voltage.
	Hose may be bent or clogged.	Straighten up the hose or clean up the inside of the hose.
	Impeller may be worn off.	New impeller required.
	Too much residue inside the pump casing.	Open casing and clean up.
Stop operation due to leak current breaker.	The cable may have a flaw.	Repair is needed.
	The cable joint is wet.	Dry the joint.

# PARTS LIST



No.	PARTS NAME	QTY	No.	PARTS NAME	QTY
1	Motor	1	21	Grease	1
2	Motor Frame	1	22	Liquid Paraffin	1
3	Front Bracket	1	23	Bearing Plate	1
4	Head Cover	1	24	Condenser	1
5	Mechanical Box	1	25	Band	1
6	Out Cover	1	26	Ball	1
7	Casing	1	27	Wave Washer	1
8	Strainer	1	28	Impeller Adjusting Washer	1
9	Impeller	1	29	Stop Ring	1
10	Head Packing	1	30	Hexagon Nut	1
11	Frame Packing	1	31	Spring Washer	1
12	Mechanical Box	1	32	⊕ Screw	4
13	Casing Packing	1	33	⊕ Screw	4
14	Motor Spouter	1	34	⊕ Screw	2
15	⊕ Screw	2	35	⊕ Screw	1
16	Seal Ring	1	36	⊕ Screw	2
17	Power Cord	1	37	⊕ Screw	3
18	Name Label	1	38	Tapping Screw	6
19	Mechanical Seal	1	39	Tapping Screw	2
20	Oil Seal	1	40	Impeller Collar	1

## PERFORMANCE CURVE



## SPECIFICARION

Model	SM-62011
Connection Dia	20mm (3/4")
Total Head	16.4ft, 5.0m
Delivery Volume	13.2g.p.m, 50L/min.
Voltage	AC 115V
Frequency	60Hz
Rated Current	1.5A
Power	0.064HP
Motor Revolution	3200rpm
Motor Type	Condenser Induction Motor
Power Cord	8ft

99-3 034103201